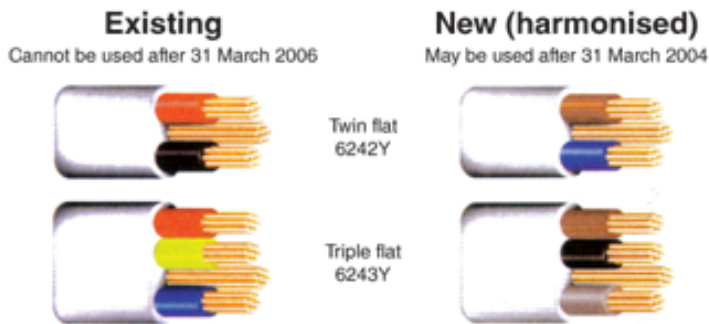


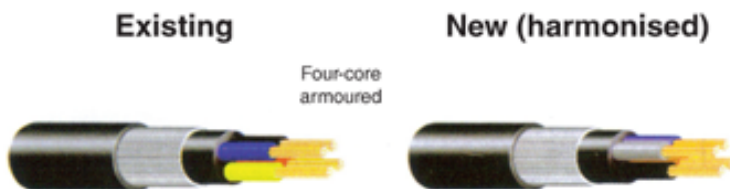
Single-phase Installations

The fixed installation colours of red phase and black neutral are replaced by brown phase and blue neutral, respectively. These are the colours that have been used in appliance flexible cables for many years. The protective conductor is still identified by the colour combination green-and-yellow.



Three-phase Installations

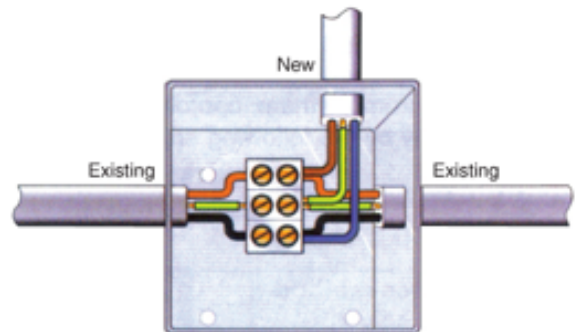
For three-phase cables the phase colours are brown, black and grey, instead of red, yellow and blue, respectively, and the neutral colour is now blue instead of black. Again the protective conductor is identified by the colour combination green-and-yellow. Alternatively all three of the phase conductor cores may be coloured brown and marked L1, L2, L3 at the terminations.



No liability can be accepted for the data below which is given for guidance only.

Extensions or alterations to existing single-phase installations

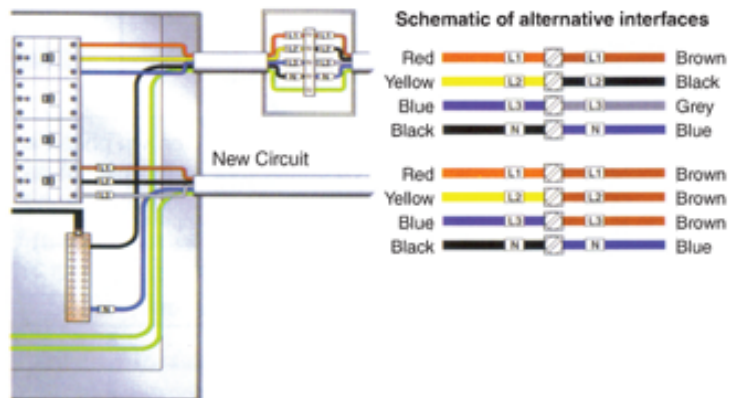
Alterations or additions to a single-phase installation do not require marking at the interface between old and new cabling providing that they are correctly coloured. However a warning notice must be fixed at the distribution board or consumer unit, like this:



CAUTION - This installation has wiring colours to two versions of BS 7671. Great care should be taken before undertaking extension, alteration or repair that all conductors are correctly identified.

Extensions or alterations to existing three-phase installations

For alterations and extensions to three-phase installations, it is recommended that old and new cables are marked at the interface L1, L2, L3 for the phases and N for the neutral. The marking should be made to both the new and old cables and is preferred to the use of coloured tape. A caution notice is again required at the distribution board.



CAUTION - This installation has wiring colours to two versions of BS 7671. Great care should be taken before undertaking extension, alteration or repair that all conductors are correctly identified.

Remember - you will need to use the new cables in order to comply with BS 7671 (the Wiring Regulations), from the dates shown.

For more information, consult the industry's agreed web resource centre: www.iee.org/cablecolours